

Image



Key Features

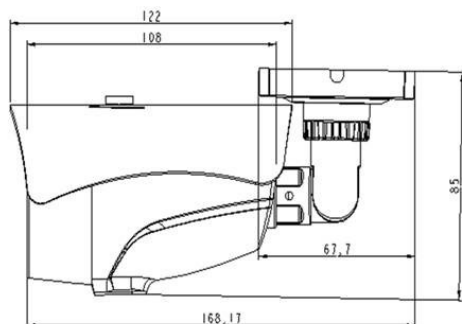
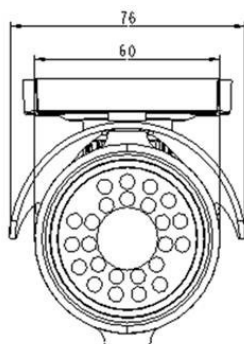
- Sony 1/3 Inch 960H Super HAD II CCD
- Horizontal Resolution 650TV Lines
- Min. Illumination 0.001 Lux @ F1.2 / 0Lux (IR ON)
- ATR(Adaptive Tone Reproduction)
- 2D DNR (Digital Noise Reduction)
- Fixed Lens (f = 3.6mm)
- 24 EA IR LED : 15M
- Weather-Proof : IP 66

Ordering Number

- SPI-E05NB1-36I : NTSC, 3.6mm Lens, 24ea IR LED
- SPI-E05PB1-36I : PAL, 3.6mm Lens, 24ea IR LED

Dimensions

Unit : mm



Technical Specifications

Model	SPI-E05NB1-36I	SPI-E05PB1-36I
VIDEO		
Imaging Device	SONY 1/3" 960H Super HAD II CCD	
Signal System	NTSC	PAL
Total Pixels	1020(H) x 508(V)	1020(H) x 596(V)
Effective Pixels Number	976(H) x 494(V)	976(H) x 582(V)
Scanning System	2:1 Interlace	
Sync System	Internal	
Scanning Frequency	15.734KHz(H)/59.94Hz(V)	15.625KHz(H)/50Hz(V)
Horizontal Resolution	Color : 650TV lines, B/W : 700TV lines	
Min. Illumination	0.001 Lux @ F1.2 , 0Lux(IR ON)	
S/N Ratio	More than 52dB (AGC OFF)	
Video output	CVBS : 1.0Vp-p / 75Ω Composite	
FIXED FOCAL LENS		
Mount Type	Board (M12 x 0.5 pitch)	
Lens Type	Fixed	
Focal length	3.6mm	
Max. Aperture Ratio	F2.0	
OPERATIONAL		
OSD Language	English / Japanese/ German/ French/ Russian/ Portuguese / Spanish	
Electronic Shutter Speed	1/60~1/120,000	1/50~1/120,000
Flickerless	1/100sec	1/120sec
Brightness	Support (0.25/0.5/0.75/1)	
AGC (Auto Gain Control)	Off ~ 44.8 dB	
Backlight Compensation	Off / BLC/ HLC	
ATR(D-WDR)	Off / On (Luminance / Contrast)	
Digital Noise Reduction	2D DNR (Off , Y, Y/C)	
White Balance	ATW / Push / User1/User2/Anti CR/ Manual/ Push Lock	
Day & Night	Auto / Color / BW / Ext1 / Ext2	
Motion Detection	Built-in	
Privacy Masking	4 positions	
IR Optimizer	Off / On (Auto / Center 15 steps)	
Camera ID	Off / On	
ENVIRONMENTAL		
Operating Temperature	-10℃ ~ +50℃	
Operating Humidity	Less than 80% RH	
ELECTRICAL		
Input Voltage	DC12V ±10%	
Power Consumption	Max. 4.0W (IRLED ON)	
MECHANICAL		
Color	Dark Grey	
Material	Aluminum	
Dimensions	60 Ø x168.17mm	
Weight	Approx 400g	

All specifications are subject to change without notice